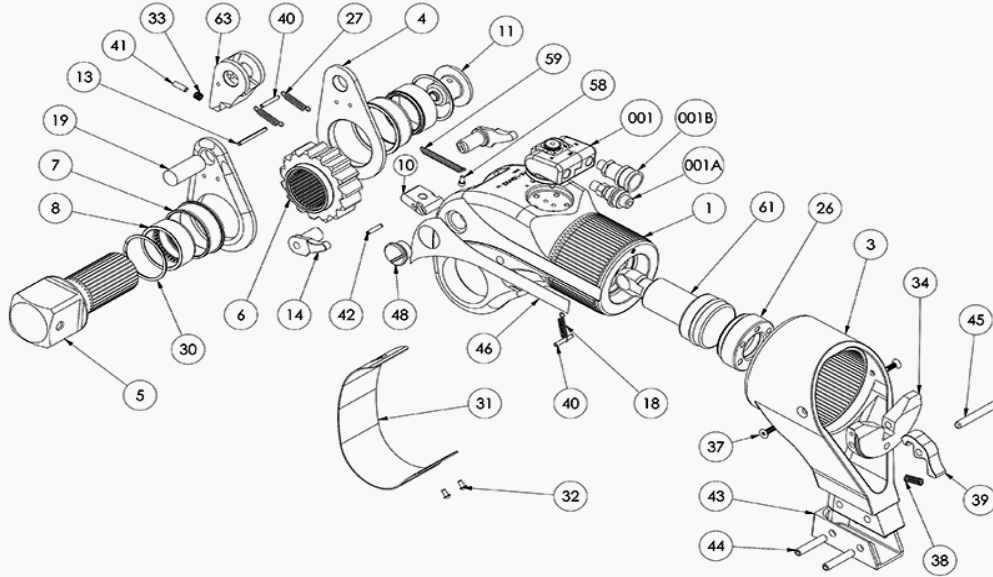


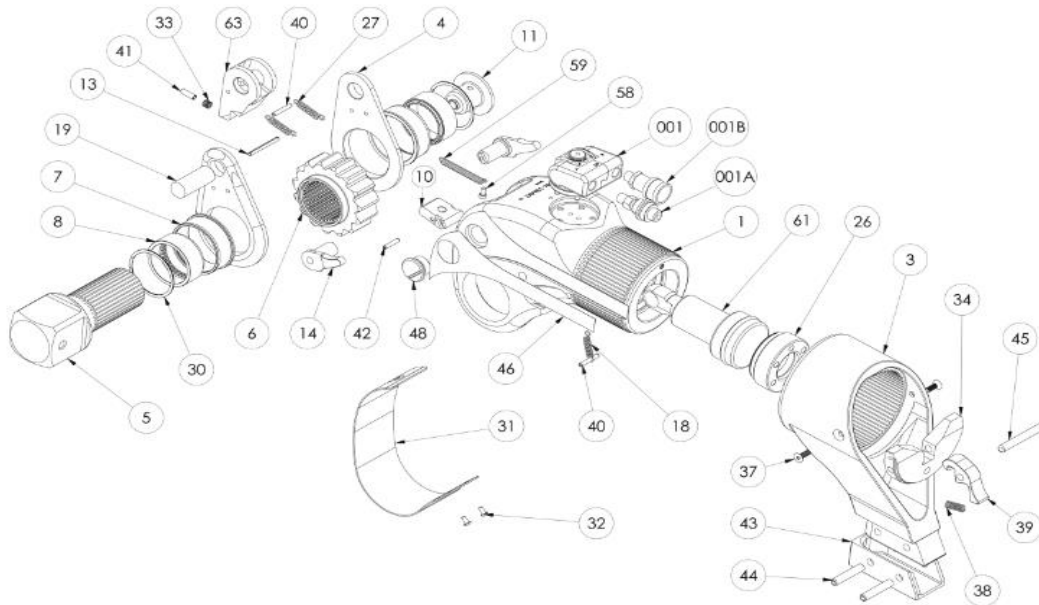
MXT PARTS LIST



ITEM	QTY.	DESCRIPTION	MXT-7	MXT-1	MXT-3	MXT-5	MXT-10	MXT-15	MXT-20	MXT-35
1	1	Housing*	MXT-7-01	MXT-01-01	MXT-03-01	MXT-05-01	MXT-10-01	MXT-15-01	MXT-20-01	MXT-35-01
3	1	REAR REACTION ARM ASSEMBLY	MXT-7-03	MXT-01-03	MXT-03-03	MXT-05-03	MXT-10-03	MXT-15-03	MXT-20-03	MXT-35-03
4	2	DRIVE PLATE UNIVERSAL	MXT-7-04	XLT-01-04	XLT-03-04	XLT-05-04	XLT-10-04	MXT-15-04	XLT-20-04	MXT-35-04
5	1	SQ DRIVE ASSEMBLY	MXT-7-05	XLT-01-05-1	XLT-03-05-1	XLT-05-05-1	XLT-10-05-1	MXT-15-05	XLT-20-05	MXT-35-05
6	1	RATCHET	MXT-7-06	XLT-01-06-1	XLT-03-06-1	XLT-05-06-1	XLT-10-06-1	MXT-15-06	XLT-20-06	MXT-35-06
7	2	SQ DRIVE BUSHING	MXT-7-07	XLT-01-07-1	XLT-03-07-1	XLT-05-07-1	XLT-10-07-1	MXT-15-07	XLT-20-07	MXT-35-07
8	2	DRIVE SLEEVE SPLINE	MXT-7-08	XLT-01-08-1	XLT-03-08-1	XLT-05-08-1	XLT-10-08-1	MXT-15-08	XLT-20-08	MXT-35-08
10	1	REACTION PAWL ASSEMBLY	MXT-7-10	MXT-01-10	MXT-03-10	MXT-05-10	MXT-10-10	MXT-15-10	MXT-20-10	MXT-35-10
11	1	DRIVE RETAINER ASSEMBLY	MXT-7-11	XLT-01-11	XLT-03-11	XLT-05-11	XLT-10-11	MXT-15-11	XLT-20-11	MXT-35-11
13	1	DRIVE PLATE ROLL PIN	MXT-7-13	XLT-01-13	XLT-03-13	XLT-05-13	XLT-10-13	MXT-15-13	XLT-20-13	MXT-35-13
14	1	LEFT AND RIGHT LEVER ASSEMBLY	MXT-7-14	MXT-01-14	MXT-03-14	MXT-05-14	MXT-10-14	MXT-15-14	MXT-20-14	MXT-35-14
18	1	REACTION PAWL SPRING	MXT-7-18	MXT-01-18	MXT-03-18	MXT-05-18	MXT-10-18	MXT-15-18	MXT-20-18	MXT-35-18
19	1	ROD END PIN	MXT-7-19	XLT-01-19	XLT-03-19	XLT-05-19	MXT-10-319	MXT-15-19	XLT-20-319	MXT-35-19
26	1	END CAP	MXT-7-26	MXT-01-26	MXT-03-26	MXT-05-26	MXT-10-26	MXT-15-26	MXT-20-26	MXT-35-26
27	2	DRIVE PAWL SPRING	MXT-7-27	XLT-01-27	XLT-03-27	XLT-05-27	XLT-10-27	MXT-15-27	XLT-20-27	MXT-35-27
28	1	REACTION ARM LEVER ASSEMBLY	MXT-7-28	MXT-01-28	MXT-03-28	MXT-05-28	MXT-10-28	MXT-15-28	MXT-20-28	MXT-35-28
30	2	DRIVE SLEEVE RETAINING RING	MXT-7-30	XLT-01-30	XLT-03-30	XLT-05-30	XLT-10-30	MXT-15-30	XLT-20-30	MXT-35-30
31	1	SHROUD	MXT-7-31	MXT-01-31	MXT-03-31	MXT-05-31	MXT-10-31	MXT-15-31	MXT-20-31	MXT-35-31
32	2	SHROUD SCREW	MXT-7-32	XLT-01-32	MXT-03-32	MXT-03-32	XLT-10-32	MXT-15-32	XLT-20-32	MXT-35-32
33	1	DRIVE PAWL SPRING SECONDARY	n/a	n/a	n/a	n/a	n/a	n/a	XLT-20-33	MXT-35-33
34	1	REACTION ARM THRUST PLATE	MXT-7-367	MXT-01-367	MXT-03-367	MXT-05-367	MXT-10-367	MXT-15-367	MXT-20-367	MXT-35-367
37	2	THRUST PLATE SCREW	MXT-7-503	MXT-01-503	MXT-03-503	MXT-05-503	MXT-10-503	MXT-15-503	MXT-20-503	MXT-35-503
39	1	CATCH LEVER, REACTION ARM	MXT-7-328	MXT-01-328	MXT-03-328	MXT-05-328	MXT-10-328	MXT-15-328	MXT-20-328	MXT-35-328
38	1	REACTION ARM LEVER SPRING	MXT-7-508	MXT-01-508	MXT-03-508	MXT-05-508	MXT-10-508	MXT-15-508	MXT-20-508	MXT-35-508
40	1	ROLL PIN DRIVE PAWL PRIMARY	MXT-7-40	XLT-01-40	XLT-03-40	XLT-05-40	XLT-10-40	MXT-15-40	XLT-20-40	MXT-35-40
41	1	ROLL PIN DRIVE PAWL SECONDARY	MXT-7-41	XLT-01-41	XLT-03-41	XLT-05-41	XLT-10-41	MXT-15-41	XLT-20-41	MXT-35-41
42	1	ROLL PIN REACTION PAWL	MXT-7-42	XLT-01-42	XLT-03-42	XLT-05-42	XLT-10-42	MXT-15-42	XLT-20-42	MXT-35-42
43	1	REACTION ARM BOOT	MXT-7-43	XLT-01-43	XLT-03-43	XLT-05-43	XLT-10-43	MXT-15-43	XLT-20-43	MXT-35-43
44	2	REACTION ARM BOOT PIN	MXT-7-44	MXT-01-44	MXT-03-44	MXT-05-44	MXT-10-44	MXT-15-44	MXT-20-44	MXT-35-44
45	1	REACTION ARM LEVER PIN	MXT-7-509	MXT-01-509	MXT-03-509	MXT-05-509	MXT-10-509	MXT-15-509	MXT-20-509	MXT-35-509
46	1	SERIAL PLATE RIGHT/LEFT SET	MXT-7-46	MXT-01-46	MXT-03-46	MXT-05-46	MXT-10-46	MXT-15-46	MXT-20-46	MXT-35-46
48	2	ACCESS PLUG (with O ring)	MXT-7-02	MXT-01-02	MXT-03-02	MXT-05-02	MXT-10-02	MXT-15-02	MXT-20-02	MXT-35-02
58	1	SHROUD SPRING SCREW	MXT-7-58	XLT-01-58	XLT-03-58	XLT-05-58	XLT-10-58	MXT-15-58	XLT-20-58	MXT-35-58
59	1	SHROUD SPRING	MXT-7-59	XLT-01-59	XLT-03-59	XLT-05-59	XLT-10-59	MXT-15-59	XLT-20-59	MXT-35-59
61	1	PISTON ASSEMBLY	MXT-7-61	XLT-01-61	XLT-03-61	XLT-05-61	XLT-10-61	MXT-15-61	XLT-20-61	MXT-35-61
63	1	DRIVE PAWL ASSEMBLY	MXT-7-63	XLT-01-63	XLT-03-63	XLT-05-63	XLT-10-63	MXT-15-63	XLT-20-63	MXT-35-63
1	1	UNISWIVEL ASSEMBLY	MXT-001ACL	MXT-001ACL	MXT-003ACL	MXT-003ACL	MXT-010ACL	MXT-010ACL	MXT-010ACL	MXT-010ACL
		Model 1 & 3 refer to the 1st letter of serial # to determine A or D style	MXT-001CL	MXT-001CL	MXT-003CL	MXT-003CL	MXT-010ACL	MXT-010ACL	MXT-010ACL	MXT-010ACL
001A	1	MALE COUPLER (comes with nipple)	090155-1/8	090155-1/8	090155-1/4	090155-1/4	090155-1/4	090155-1/4	090155-1/4	090155-1/4
001B	1	FEMALE COUPLER	090156-1	090156-1	90156	90156	90156	90156	90156	90156
001C	1	UNISWIVEL SEAL KIT	MXT-001-00	MXT-001-00	MXT-003-00	MXT-003-00	MXT-010-00	MXT-010-00	MXT-010-00	MXT-010-00
	1	HOUSING SEAL KIT	MXT-7-62	MXT-01-62	MXT-03-62	MXT-05-62	MXT-10-62	MXT-15-62	MXT-20-62	MXT-35-62
	1	MAINTENANCE KIT	MK-HY-7MXT	MK-HY-11MXT	MK-HY-3MXT	MK-HY-5MXT	MK-HY-10MXT	MK-HY-15MXT	MK-HY-20MXT	MK-HY-35MXT

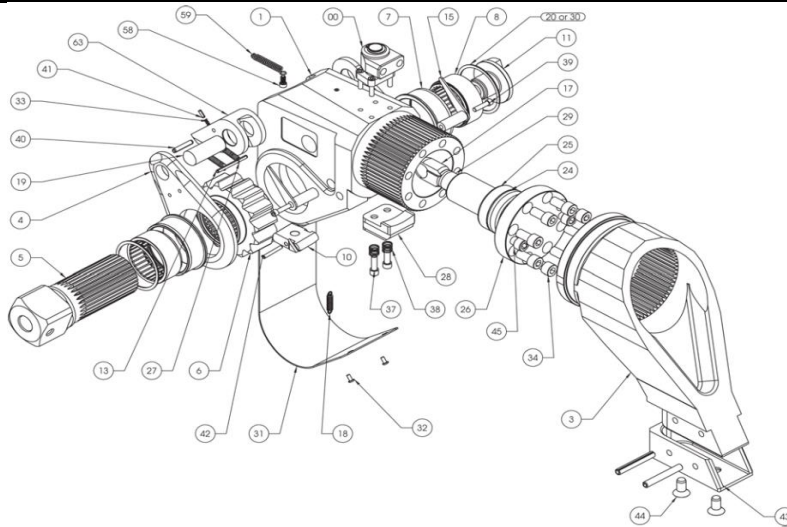
* (with end cap, shroud, access plug and seal kit)

MXT-SA Parts List



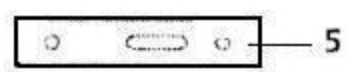
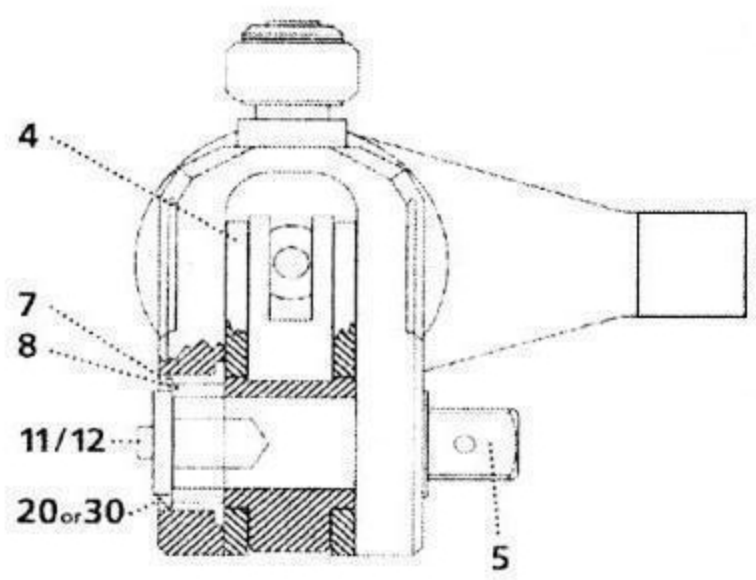
ITEM	QTY.	DESCRIPTION	MXT-.7-SA	MXT-1-SA	MXT-3-SA	MXT-5-SA	MXT-10-SA
1	1	Housing (with end cap, shroud, access plug and seal kit)	MXT-.7-01SA	MXT-01-01SA	MXT-03-01SA	MXT-05-01SA	MXT-10-01SA
3	1	REAR REACTION ARM ASSEMBLY	MXT-.7-03SA	MXT-01-03SA	MXT-03-03SA	MXT-05-03SA	MXT-10-03SA
4	2	DRIVE PLATE UNIVERSAL	MXT-.7-04	MXT-01-04SA	MXT-03-04SA	MXT-05-04SA	MXT-10-04SA
5	1	SQ DRIVE ASSEMBLY	MXT-.7-05	XLT-01-05-1	XLT-03-05-1	XLT-05-05-1	XLT-10-05-1
6	1	RATCHET	MXT-.7-06	XLT-01-06-1	XLT-03-06-1	XLT-05-06-1	XLT-10-06-1
7	2	SQ DRIVE BUSHING	MXT-.7-07	MXT-01-07SA	MXT-03-07SA	MXT-05-07SA	MXT-10-07SA
8	2	DRIVE SLEEVE SPLINE	MXT-.7-08	XLT-01-08-1	XLT-03-08-1	XLT-05-08-1	XLT-10-08-1
10	1	REACTION PAWL ASSEMBLY	MXT-.7-10	MXT-01-10	MXT-03-10	MXT-05-10	MXT-10-10
11	1	DRIVE RETAINER ASSEMBLY	MXT-.7-11SA	MXT-01-11SA	MXT-03-11SA	MXT-05-11SA	MXT-10-11SA
13	1	DRIVE PLATE ROLL PIN	MXT-.7-13	XLT-01-13	XLT-03-13	XLT-05-13	XLT-10-13
14	1	LEFT AND RIGHT LEVER ASSEMBLY	MXT-.7-14SA	MXT-01-14SA	MXT-03-14SA	MXT-05-14SA	MXT-10-14SA
18	1	REACTION PAWL SPRING	MXT-.7-18	MXT-01-18	MXT-03-18	MXT-05-18	MXT-10-18
19	1	ROD END PIN	MXT-.7-19SA	MXT-01-19SA	MXT-03-19SA	MXT-05-19SA	MXT-10-19SA
26	1	END CAP	MXT-.7-26SA	MXT-01-26SA	MXT-03-26SA	MXT-05-26SA	MXT-10-26SA
27	2	DRIVE PAWL SPRING	MXT-.7-06-27	XLT-01-06-27	XLT-03-06-27	XLT-05-06-27	XLT-10-06-27
28	1	REACTION ARM LEVER ASSEMBLY	MXT-.7-28SA	MXT-01-28SA	MXT-03-28SA	MXT-05-28SA	MXT-10-28SA
30	2	DRIVE SLEEVE RETAINING RING	MXT-.7-06-30	XLT-01-06-30	XLT-03-06-30	XLT-05-06-30	XLT-10-06-30
31	1	SHROUD	MXT-.7-31SA	MXT-01-31SA	MXT-03-31SA	MXT-05-31SA	MXT-10-31SA
32	2	SHROUD SCREW	MXT-.7-06-32	XLT-01-06-32	XLT-03-06-32	XLT-05-06-32	XLT-10-06-32
33	1	DRIVE PAWL SPRING SECONDARY	N/A	N/A	N/A	N/A	N/A
34	1	REACTION ARM THRUST PLATE	MXT-.7-367SA	MXT-01-367SA	MXT-03-367SA	MXT-05-367SA	MXT-10-367SA
37	2	THRUST PLATE SCREW	MXT-.7-503	MXT-01-503	MXT-03-503	MXT-05-503	MXT-10-503
39	1	CATCH LEVER, REACTION ARM	MXT-.7-328	MXT-01-328	MXT-03-328	MXT-05-328	MXT-10-328
38	1	REACTION ARM LEVER SPRING	MXT-.7-508	MXT-01-508	MXT-03-508	MXT-05-508	MXT-10-508
40	1	ROLL PIN DRIVE PAWL PRIMARY	MXT-.7-40	XLT-01-40	XLT-03-40	XLT-05-40	XLT-10-40
41	1	ROLL PIN DRIVE PAWL SECONDARY	MXT-.7-41	XLT-01-41	XLT-03-41	XLT-05-41	XLT-10-41
42	1	ROLL PIN REACTION PAWL	MXT-.7-42	XLT-01-42	XLT-03-42	XLT-05-42	XLT-10-42
43	1	REACTION ARM BOOT	MXT-.7-43SA	MXT-01-43SA	MXT-03-43SA	MXT-05-43SA	MXT-10-43SA
44	2	REACTION ARM BOOT PIN	MXT-.7-44	MXT-01-44	MXT-03-44	MXT-05-44	MXT-10-44
45	1	REACTION ARM LEVER PIN	MXT-.7-509	MXT-01-509	MXT-03-509	MXT-05-509	MXT-10-509
46	1	SERIAL PLATE RIGHT/LEFT SET	MXT-.7-46SA	MXT-01-46SA	MXT-03-46SA	MXT-05-46SA	MXT-10-46SA
48	2	ACCESS PLUG (with O ring)	MXT-.7-02SA	MXT-01-02SA	MXT-03-02SA	MXT-05-02SA	MXT-10-02SA
58	1	SHROUD SPRING SCREW	MXT-.7-58	XLT-01-58	XLT-03-58	XLT-05-58	XLT-10-58
59	1	SHROUD SPRING	MXT-.7-59	XLT-01-59	XLT-03-59	XLT-05-59	XLT-10-59
61	1	PISTON ASSEMBLY	MXT-.7-61SA	MXT-01-61SA	MXT-03-61SA	MXT-05-61SA	MXT-10-61SA
63	1	DRIVE PAWL ASSEMBLY	MXT-.7-63SA	MXT-01-63SA	MXT-03-63SA	MXT-05-63SA	MXT-10-63SA
1	1	UNISWIVEL ASSEMBLY	MXT-001SACL	MXT-001SACL	MXT-003SACL	MXT-005SACL	MXT-010SACL
001A	1	MALE COUPLER (comes with nipple)	090155-1/8	090155-1/8	090155-1/4	090155-1/4	090155-1/4
001B	1	FEMALE COUPLER	090156-1	090156-1	90156	90156	90156
001C	1	UNISWIVEL SEAL KIT	MXT-001-00	MXT-001-00	MXT-003-00	MXT-003-00	MXT-010-00
	1	HOUSING SEAL KIT	MXT-.7-62	MXT-01-62	MXT-03-62	MXT-05-62	MXT-10-62
	1	MK-HY-10MXTSA	MK-HY-7MXT	MK-HY-1MXTSA	MK-HY-3MXTSA	MK-HY-5MXTSA	MK-HY-10MXTSA

XLT PARTS LIST

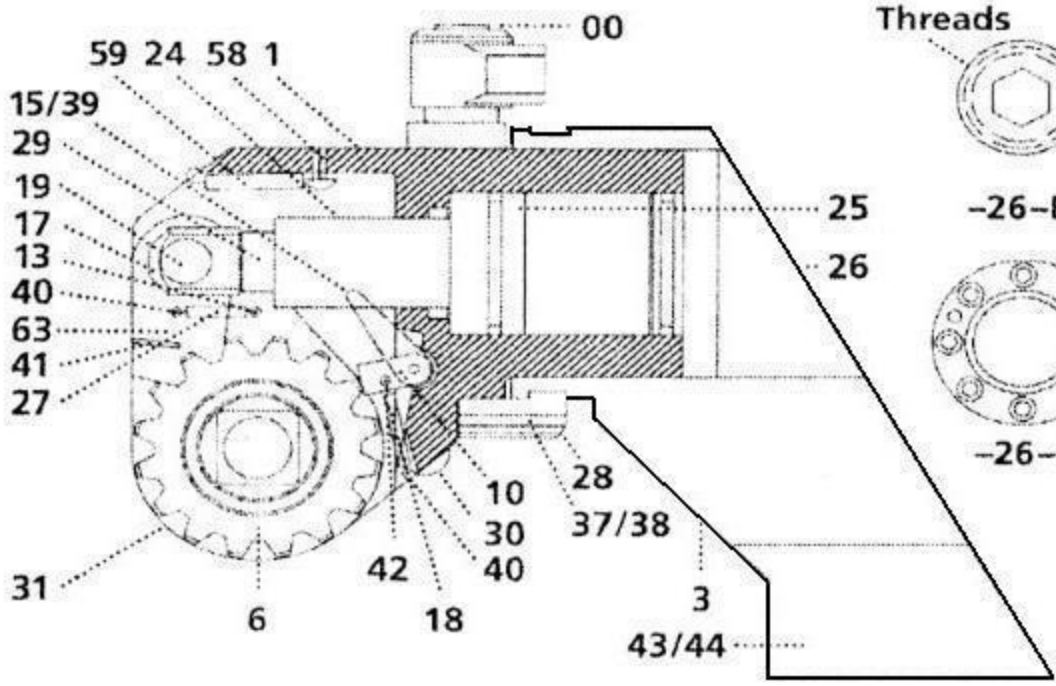


#	DESCRIPTION	XLT-.5	XLT-8	XLT-25	XLT-50
1	Housing Complete	XLT-5-01-E	XLT-08-01-E	XLT-25-01	XLT-50-01
3	Reaction Arm	XLT-.5-03	XLT-08-03	XLT-25-03	XLT-50-03
4	Drive Plate Universal	XLT-.5-04	XLT-08-04	XLT-25-04	XLT-50-04
5	Square Drive Spline	XLT-.5-05-1	XLT-08-05-1	XLT-25-05	XLT-50-05
5	Square Drive Splined Threaded	N/A	N/A	N/A	XLT-50-05-2
6	Ratchet Splined	XLT-.5-06	XLT-08-06	XLT-25-06	XLT-50-06
7	Drive Bushing for Steel Sleeve	N/A	N/A	XLT-25-07-0	N/A
7	Drive Bushing for B/A Sleeve	XLT-5-07-1	XLT-08-07-1	XLT-25-07-1	N/A
7	Steel Sleeve	N/A	N/A	N/A	XLT-50-07
8	Drive Sleeve Round Steel	XLT-.5-8-0	N/A	XLT-25-08-0	XLT-50-01
8	Drive Sleeve Spline BR/ALU	XLT-.5-8-1	XLT-08-08	XLT-25-08-1	XLT-50-01
10	Reaction Pawl	XLT-.5-10	XLT-08-10	XLT-25-10	XLT-50-01
11	Drive Retainer	XLT-.5-11	XLT-08-11	XLT-25-11	XLT-50-01
11	Threaded Drive Retainer	N/A	N/A	N/A	XLT-50-11-2
*	End Cap O-Ring	N/A	N/A	N/A	XLT-50-126
13	Drive Plate Roll Pin	XLT-.5-13	XLT-08-13	XLT-25-13	XLT-50-13
15	Lever	XLT-.5-15	XLT-08-15	XLT-25-15	XLT-50-15
17	Piston Connector Rod	XLT-.5-17	XLT-08-17	XLT-25-17	XLT-50-17
18	Reaction Pawl Spring	XLT-.5-18	XLT-08-18	XLT-25-18	XLT-50-18
19	Rod Pin	XLT-.5-19	XLT-08-19	XLT-25-19	XLT-50-19
20	Drive Sleeve O-Ring	XLT-.5-20	XLT-08-20	XLT-25-20	N/A
24	Piston Sleeve	XLT-.5-24	XLT-08-24	XLT-25-24	XLT-50-24
25	Piston with Seals	XLT-.5-25	XLT-08-25	XLT-25-25	XLT-50-25
26	End Cap with Screws	XLT-.5-26-1	XLT-08-26-1	XLT-25-26-1	XLT-50-26
26	End Cap used with E Style Housing	XLT-.5-26-E	XLT-08-26-E	N/A	XLT-50-26-1
27	Spring, Drive Pawl (2)	XLT-.5-27	XLT-08-27	XLT-25-27	XLT-50-27
28	Reaction Arm Clamp	XLT-.5-28	XLT-08-28	XLT-25-28	XLT-50-28
29	Piston Rod	XLT-.5-29	XLT-08-29	XLT-25-29	XLT-50-29
30	Retaining Ring	XLT-.5-30	XLT-08-30	XLT-25-30	XLT-50-30
31-U	Shroud (Universal)	XLT-.5-31-U	XLT-08-31-U	XLT-25-31-U	XLT-50-31-U
32	Screw, Shroud	XLT-.5-32	XLT-08-32	XLT-25-32	XLT-50-32
33	Spring, Secondary Drive Pawl	N/A	N/A	XLT-25-33	XLT-50-33
34	Screws, End Cap	XLT-.5-34	XLT-08-34	XLT-25-34	XLT-50-34
37	Screw, RA Clamp	XLT-.5-37	XLT-08-37	XLT-25-37	XLT-50-37
38	Spring, RA Clamp	XLT-.5-38	XLT-08-38	XLT-25-38	XLT-50-38
39	Lever Screw	XLT-.5-39	XLT-08-39	XLT-25-39	XLT-50-39
40	Roll Pin, Primary DP/Reaction Pawl	XLT-.5-40	XLT-08-40	XLT-25-40	XLT-50-40
41	Roll Pin, Secondary DP	N/A	N/A	XLT-25-41	XLT-50-41
42	Roll Pin, Reaction Pawl	XLT-.5-42	XLT-08-42	XLT-25-42	XLT-50-42
43	Reaction Arm Boost with Screws	XLT-.5-43	XLT-08-43	N/A	XLT-50-43
44	Boot Screws	XLT-.5-44	XLT-08-44	N/A	XLT-50-44
45	Screw, End Cap Jacking	XLT-.5-45	XLT-08-45	XLT-25-45	XLT-50-45
58	Screw, Shroud Spring	XLT-.5-58	XLT-08-58	XLT-25-58	XLT-50-58
59	Shroud Spring	XLT-.5-59	XLT-08-59	XLT-25-59	XLT-50-59
**	Piston Rod Assembly w/Seal	XLT-.5-61	XLT-08-61	XLT-25-61	XLT-50-61
**	Seal Kit Universal	XLT-.5-62	XLT-08-62	XLT-25-62	XLT-50-62
#, ++63	Drive Pawl Assembly Kit	XLT-.5-63	XLT-08-63	XLT-25-63	XLT-50-63
#,64	Roll Pin Kit (all roll pins)	XLT-.5-64	XLT-08-64	XLT-25-64	XLT-50-64
65	Reaction Arm Crane	XLT-.5-CA	XLT-08-CA	N/A	N/A
#00	Uniswivel Assembly	XLT-001	XLT-003	XLT-003	XLT-003
#00	Uniswivel Seal Kit	XLT-01-00	XLT-001-00	XLT-001-00	XLT-001-00

50XLT Tool Schematic



ITEM 8 DRIVE SLEEVE



ITEM 26 ENDCAP

